

AC Motors for Hydraulic

A dynamic, strong and ambitious Group

Orange1 Holding is an international renown Group, one of the most important European manufacturers of single-phase and three-phase asynchronous electric motors. It has an annual capacity of more than 1 million motors and 5 million electric stators with an annual turnover of approx 235 million euro and more than 1600 workers in 15 production facilities. The group, established in 1971 by Leone Donazzan, chaired today by his son Armando Donazzan, is strongly focused on technological innovation, performance and customization to meet individual clients requirements.



Powerpack motors

The electric motors are largely used in the hydraulic applications, flange mounted B5 or B14 with special couplings and adaptors between the motor and the pump.

In addition to our standard range, Orange1 Electric Motors has developed the Powerpack Series. The motors have special flanges and shafts to allow a direct coupling between motor and pump. The special square flange is suitable for the main pump brands on the market. The motor range is between 71 and 100 frame size, with output power up to 5.5 kW for an intermittent duty.

The main field of application all the hydraulic applications with direct coupling to a gear pump in particular for lifting devices, compactors, special drives and many others

Special Output Power on request for Special Duty Cycles Special upon request

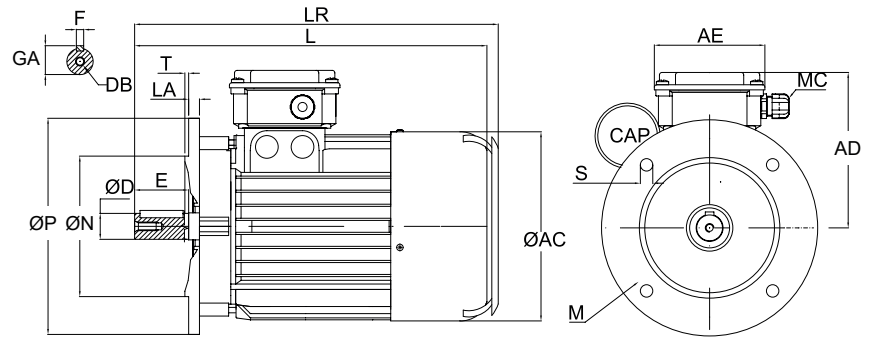
Three phase 6 pole, 8 pole, two speed	Class H
Single phase Cap start Cap run	Tropicalization
Foot mounted	Encapsulation for Harsh environment applications
Thermal protector PTO, PTC , PT100	cCSAus Certification (CSA C22.2 - UL1004)
Heaters 230 or 110 V	ATEX Ex d , Ex de , Ex e o Ex nA
Special Voltage	IECEX Ex d
Standard Paint or with special epoxy paint	EAC Ex d , Ex de , Ex e o Ex nA
IP55, IP65 , IP56 , IP66	

Frame size	3 PHASE		1 PHASE		B14 / B5	Direct
	2 POLE	4 POLE	2 POLE	4 POLE		
63	0,18 - 0,37 kW	0,18 - 0,37 kW	0,18 - 0,37 kW	0,18 - 0,37 kW	x	
71	0,18 - 1,5 kW	0,18 - 1,1 kW	0,18 - 1,5 kW	0,18 - 1,1 kW	x	x
80	0,75 - 2,2 kW	0,55 - 1,5 kW	0,75 - 2,2 kW	0,55 - 1,5 kW	x	x
90	1,5 - 4 kW	1,1 - 3,5 kW	1,5 - 3 kW	1,1 - 2,6 kW	x	x
100	3 - 5,5 kW	2,2 - 5,5 kW	3 - 4 kW	2,2 - 3 kW	x	x
112	4 - 7,5 kW	4 - 7,5 kW			x	

Powerpack motors

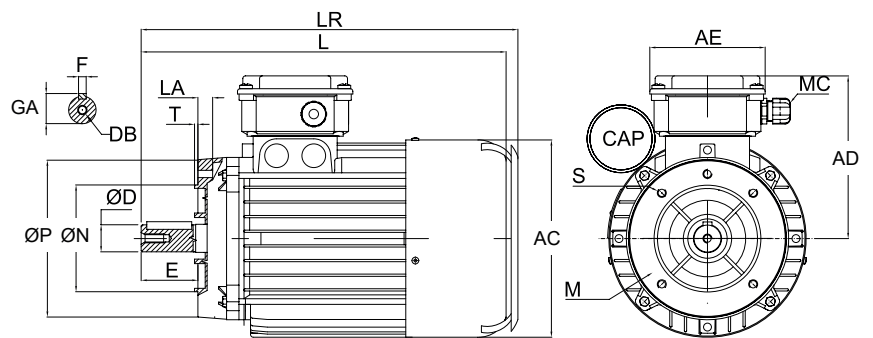
B5

	ØP	ØN	LA	M	T	S
63	140	95	11	115	3	9
71	140*	95	11	115	3	9
	160	110	10,5	130	3,5	9
80	160*	110	10,5	130	3,5	9
	200	130	11,5	165	3,5	12
90	160*	110	10,5	130	3,5	9
	200	130	11,5	165	3,5	12
100	200*	130	11,5	165	3,5	12
	250	180	15,5	215	4	14
112	160*	110	10,5	130	3,5	9
	250	180	15,5	215	4	14

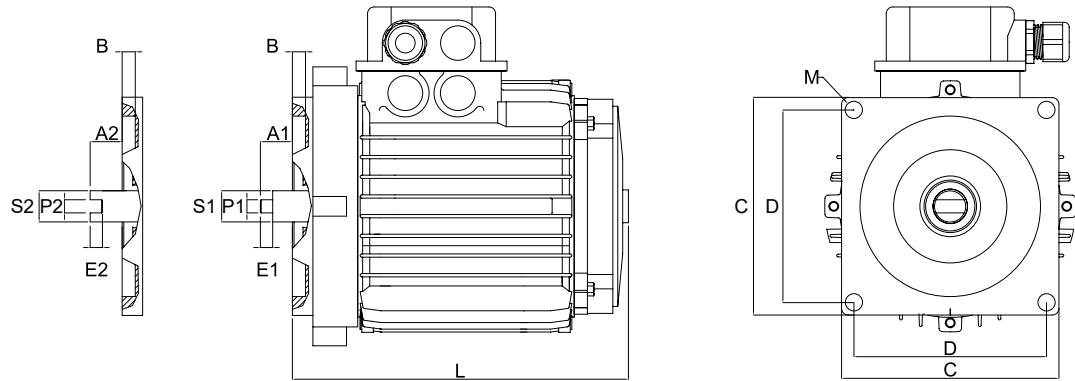


B14

	ØP	ØN	LA	M	T	S
63	80*	50	9	65	2,5	M5
	90	60	9	75	2,5	M5
	105*	70	15	85	2,5	M6
	120*	80	15	100	3	M6
71	90*	60	12	75	2,5	M5
	105	70	12	85	2,5	M6
	120*	80	13	100	3	M6
80	140*	95	20	115	3	M8
	105*	70	12	85	2,5	M6
	120	80	12	100	3	M6
	140*	95	20	115	3	M8
90	160*	110	20	130	3,5	M8
	120*	80	15	100	3	M6
	140	95	15	115	3	M8
100	120*	80	16	100	3	M6
	160	110	16	130	3,5	M8
	200*	130	20	165	4	M10
112	140*	95	16	115	3	M8
	160	110	16	130	3,5	M8

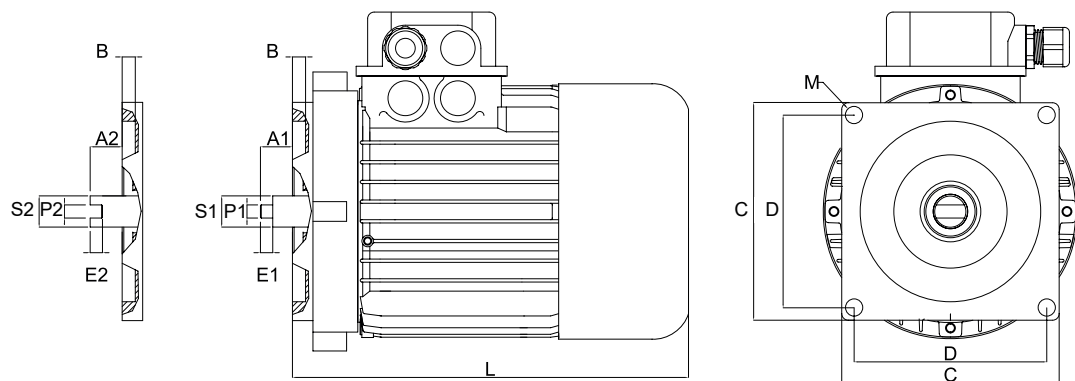


Direct flange



NOT VENTILATED

IEC	L	B	C	D	M	MALE SHAFT				FEMALE SHAFT			
						A1	E1	S1	P1	A2	E2	S2	P2
71	183	8	133	117	10,5	9,5	8	17	7,5	24,5	4,5	17	8
80	198	8	133	117	10,5	9,5	8	17	7,5	24,5	4,5	17	8
90S	213	8	133	117	10,5	9,5	8	25	7,5	24,5	4,5	25	8
90L	237	8	133	117	10,5	9,5	8	25	7,5	24,5	4,5	25	8
100	279	8	133	117	10,5	9,5	8	25	7,5	24,5	4,5	25	8



VENTILATED

IEC	L	B	C	D	M	MALE SHAFT				FEMALE SHAFT			
						A1	E1	S1	P1	A2	E2	S2	P2
71	216,5	8	133	117	10,5	9,5	8	17	7,5	24,5	4,5	17	8
80	235,5	8	133	117	10,5	9,5	8	17	7,5	24,5	4,5	17	8
90S	253,5	8	133	117	10,5	9,5	8	25	7,5	24,5	4,5	25	8
90L	277	8	133	117	10,5	9,5	8	25	7,5	24,5	4,5	25	8
100	321	8	133	117	10,5	9,5	8	25	7,5	24,5	4,5	25	8



Underoil motors

Motor for direct coupling to the gear pump oil submersed into the reservoir. The under oil motor is very reliable and compact, designed with special oil resistant materials. The rotor is designed with smooth surfaces to avoid oil turbulence inside the reservoir. These motors will bear the cCSAus marking when manufactured in compliance with the North America standards.

THE NEW UNDEROIL SERIES ONLY 110mm Ø UNIQUE WORLDWIDE

Field of application

For all the hydraulic applications to couple to a Group 1 gear pump. Other applications on request.

Characteristics

Insulation class F, Protection IP00, Voltage tolerances $\pm 5\%$ Maximum oil temperature 60 °C

Special Output Power on request for Special Duty Cycles

On request

Three phase 6 pole
Single phase Cap start Cap run
Thermal protector PTO, PTC , PT100
Special Voltage
cCSAus Certification (CSA C22.2 - UL1004)
Cable length on request
Motors in IEC standard mounting B3, B5 or B14

400V 50Hz

	Motor	[kW]	Poles	rpm	IN [A]	MA MN	Service Duty
Ø 110 mm	GU712.37	0,37	2	2830	1	3,4	S3 30%
	GU712.55	0,55	2	2800	1,7	3	S3 30%
	GU712.75	0,75	2	2800	2	3,4	S3 30%
	GU7121.1	1,1	2	2830	3,2	3,3	S3 30%
	GU7121.5	1,5	2	2830	5,4	2,7	S3 30%
	GU7122.2	2,2	2	2790	5,9	2,8	S3 30%
	GU714.25	0,25	4	1400	1	2,5	S3 30%
	GU714.37	0,37	4	1400	1,3	2,5	S3 30%
	GU714.55	0,55	4	1400	1,7	2,3	S3 30%
	GU714.75	0,75	4	1400	2,4	2,1	S3 30%
	GU7141.1	1,1	4	1380	3,6	2	S3 30%
Ø 130 mm	GU802.55	0,55	2	2850	1,4	3,3	S3 30%
	GU802.75	0,75	2	2850	2	3,2	S3 30%
	GU8021.1	1,1	2	2880	3,1	3,5	S3 30%
	GU8021.5	1,5	2	2810	3,6	2,7	S3 30%
	GU8022.2	2,2	2	2750	4,5	3,7	S3 30%
	GU8022.6	2,6	2	2820	8,7	3,7	S3 30%
	GU8023.0	3	2	2800	8,7	2,4	S3 30%
	GU804.55	0,55	4	1410	2,3	2	S3 30%
	GU804.75	0,75	4	1400	2,3	2,4	S3 30%
	GU8041.1	1,1	4	1410	3,6	2	S3 30%
	GU8041.5	1,5	4	1390	4,6	2,1	S3 30%
GU8042.2	2,2	4	1380	7,3	2	S3 30%	
GU8042.6	2,6	4	1400	8,6	2	S3 30%	
GU8043.0	3	4	1380	9,8	2	S3 30%	

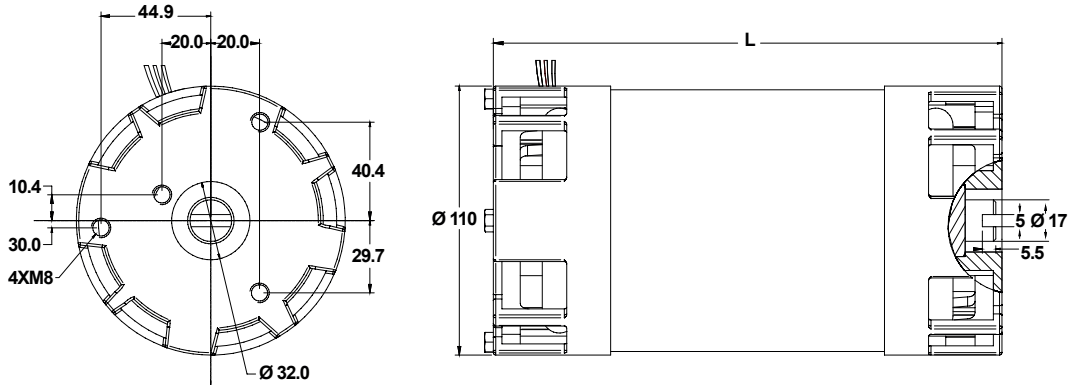
230 50Hz

	Motor	[kW]	Poles	rpm	IN [A]	MA MN	Service Duty	C [mF]
Ø 110 mm	NU712.37	0,37	2	2860	2,6	0,8	S3 30%	16
	NU712.55	0,55	2	2790	3,6	0,75	S3 30%	25
	NU712.75	0,75	2	2860	5	0,6	S3 30%	35
	NU7121.1	1,1	2	2760	7	0,5	S3 30%	40
	NU7121.5	1,5	2	2800	8,8	0,45	S3 30%	45
	NU7122.2	2,2	2	2800	13	0,35	S3 30%	60
	NU714.25	0,25	4	1400	2	0,7	S3 30%	12
	NU714.37	0,37	4	1400	2,6	0,6	S3 30%	16
	NU714.55	0,55	4	1400	3,6	0,45	S3 30%	20
	NU714.75	0,75	4	1390	6,3	0,4	S3 30%	30
	NU7141.1	1,1	4	1380	9,1	0,35	S3 30%	45
Ø 120 mm	NU802.55	0,55	2	2800	4	0,6	S3 30%	16
	NU802.75	0,75	2	2780	6	0,7	S3 30%	20
	NU8021.1	1,1	2	2870	8,2	0,6	S3 30%	30
	NU8021.5	1,5	2	2730	11,5	0,75	S3 30%	40
	NU8022.2	2,2	2	2860	16	0,6	S3 30%	50
	NU804.55	0,55	4	1400	4,8	0,6	S3 30%	16
	NU804.75	0,75	4	1400	6	0,7	S3 30%	20
	NU8041.1	1,1	4	1400	9	0,55	S3 30%	40
	NU8041.5	1,5	4	1380	11,5	0,55	S3 30%	50
	NU8042.2	2,2	4	1400	15	0,65	S3 30%	60

Underoil motors

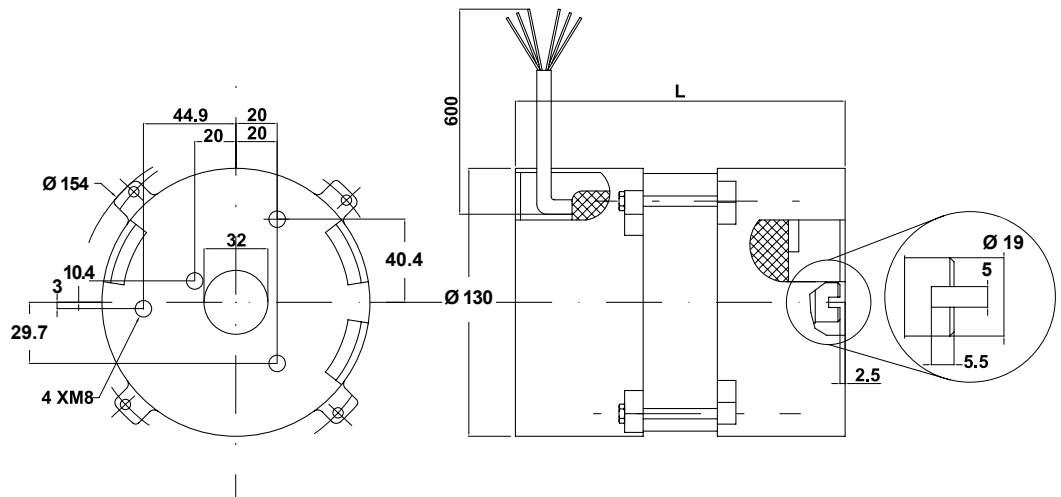
	L
GU712.37	138
GU712.55	138
GU712.75	158
GU7121.1	168
GU7121.5	188
GU7122.2	208
GU714.25	138
GU714.37	143
GU71A.55	148
GU714.75	158
GU7141.1	168
NU712.37	158
NU712.55	168
NU712.75	188
NU7121.1	198
NU7121.5	208
NU7122.2	218
NU714.25	158
NU714.37	168
NU714.55	178
NU714.75	198
NU7141.1	208

GU/NU 71



	L
GU802.55	165
GU802.75	175
GU8021.1	185
GU8021.5	195
GU8022.2	215
GU8022.6	215
GU8023.0	220
GU804.55	160
GU804.75	165
GU8041.1	175
GU8041.5	195
GU8042.2	220
GU8042.6	220
GU8043.0	225
NU802.55	178
NU802.75	188
NU8021.1	198
NU8021.5	108
NU8022.2	238
NU804.55	188
NU804.75	198
NU8041.1	213
NU8041.5	228
NU8042.2	238

GU/NU 80



1 ORANGE1

PARTNER SINCE 2016



ORANGE1
Electric Motors Spa

Administrative Headquarter

Piazza della Repubblica 28
20124 - Milano Italy

Production plants

Via Angelo Messedaglia 4
32030 - Arsìe (BL) Italy
T. +39 0439 750067
F. +39 0439 750070

Via A. Grandi 23
47030 - San Mauro Pascoli (FC) Italy
T. +39 0541 815611
F. +39 0541 815684

Via Mantova nr. 93
43122 Parma (PR) Italy
T. +39 0521 272383
F. +39 0521 272686

info@orange1.eu
www.orange1.eu

follow us   

